

TIMELESS INSTRUMENTS

# VL 2-in-1 VOLTMETER HOUR COUNTER

USER MANUAL  
rev. AA



EN

DE

IT

FR

ES

# CONTENT

<b>Content</b> .....	<b>2</b>
<b>About</b> .....	<b>3</b>
Introduction.....	3
Variants.....	3
Technical Data.....	3
<b>Safety Information</b> .....	<b>4</b>
Safety During Installation.....	4
Safety After Installation.....	5
Electrical Connection.....	5
<b>Mechanical Installation</b> .....	<b>6</b>
Before the Assembly.....	6
Installation with Spinlock.....	7
Flush Mounting.....	8
Installation with Brackets.....	9
<b>Electrical Installation</b> .....	<b>10</b>
Wiring Diagramm.....	10
<b>Accessories</b> .....	<b>11</b>



# ABOUT

## INTRODUCTION

The ViewLine 2-in-1 instrument features a bright and well readable LCD designed to display both your engine hours and a digital voltmeter to have your battery information always under control.

Its extended operating voltage up to 60 V makes it a perfect solution for the most diverse applications, from marine engines to static generators, material handling machines, and many more.

The display automatically toggles between the two values every 10 seconds for a completely hands-free operation.

Black and white variants are available and customizable with nine styling rings in different shapes and colors.

## VARIANTS

Part No	Description
B00005302	Black – round bezel
B00005303	Black – triangular bezel
B00006302	White – round bezel
B00006303	White – triangular bezel



## TECHNICAL DATA

<b>Nominal Voltage</b>	12 V / 24 V / 48 V
<b>Operating Voltage</b>	9 – 60 V (with reverse polarity and over voltage protection)
<b>Protection class</b>	IP 67 front side, IP 52 rear side acc. IEC60529
<b>Material</b>	Housing: PC (black) Lens: PMMA double lens Bezel: ABS (Chrome), PC (Black, White)
<b>Installation depth</b>	46 mm
<b>Operating temperature</b>	-40°C to +80°C
<b>Storage temperature</b>	-40°C to +85°C
<b>Flammability</b>	flame retardant acc. UL94-V0
<b>Connector</b>	Tyco / Hirschmann MQS connector 8 pins
<b>Mounting</b>	Spinlock Nut – locking height 0.5 – 20 mm Optional Studs and Brackets – locking height 2 – 15 mm
<b>Certifications</b>	CE, UKCA, Reach, RoHS

# SAFETY INFORMATION

## WARNING

- No smoking! No open fire or heat sources!
- The product was developed, manufactured, and inspected according to the basic safety requirements of EC Guidelines and state-of-the-art technology.
- The instrument is designed for use in grounded vehicles and machines as well as in pleasure boats, including non-classified commercial shipping.
- Use our product only as intended. Use of the product for reasons other than its intended use may lead to personal injury, property damage or environmental damage. Before installation, check the vehicle documentation for vehicle type and any possible special features!
- Use the assembly plan to learn the location of the fuel/hydraulic/compressed air and electrical lines!
- Note possible modifications to the vehicle, which must be considered during installation!
- To prevent personal injury, property damage or environmental damage, basic knowledge of motor vehicle/shipbuilding electronics and mechanics is required.
- Make sure that the engine cannot start unintentionally during installation!
- Modifications or manipulations to veratron products can affect safety. Consequently, you may not modify or manipulate the product!
- When removing/installing seats, covers, etc., ensure that lines are not damaged and plug-in connections are not loosened!
- Note all data from other installed instruments with volatile electronic memories.

## SAFETY DURING INSTALLATION

- During installation, ensure that the product's components do not affect or limit vehicle functions. Avoid damaging these components!
- Only install undamaged parts in a vehicle!
- During installation, ensure that the product does not impair the field of vision and that it cannot impact the driver's or passenger's head!
- A specialized technician should install the product. If you install the product yourself, wear appropriate work clothing. Do not wear loose clothing, as it may get caught in moving parts. Protect long hair with a hair net.
- When working on the on-board electronics, do not wear metallic or conductive jewelry such as necklaces, bracelets, rings, etc.
- If work on a running engine is required, exercise extreme caution. Wear only appropriate work clothing as you are at risk of personal injury, resulting from being crushed or burned.
- Before beginning, disconnect the negative terminal on the battery, otherwise you risk a short circuit. If the vehicle is supplied by auxiliary batteries, you must also disconnect the negative terminals on these batteries! Short circuits can cause fires, battery explosions and damages to other electronic systems. Please note that when you disconnect the battery, all volatile electronic memories lose their input values and must be reprogrammed.
- If working on gasoline boat motors, let the motor compartment fan run before beginning work.
- Pay attention to how lines and cable harnesses are laid so that you do not drill or saw through them!
- Do not install the product in the mechanical and electrical airbag area!
- Do not drill holes or ports in load-bearing or stabilizing stays or tie bars!
- When working underneath the vehicle, secure it according to the specifications from the vehicle manufacturer.

## **SAFETY INFORMATION**

- Note the necessary clearance behind the drill hole or port at the installation location. Required mounting depth: 65 mm.
- Drill small ports; enlarge and complete them, if necessary, using taper milling tools, saber saws, keyhole saws or files. Deburr edges. Follow the safety instructions of the tool manufacturer.
- Use only insulated tools, if work is necessary on live parts.
- Use only the multimeter or diode test lamps provided, to measure voltages and currents in the vehicle/machine or boat. Use of

conventional test lamps can cause damage to control units or other electronic systems.

- The electrical indicator outputs and cables connected to them must be protected from direct contact and damage. The cables in use must have enough insulation and electric strength and the contact points must be safe from touch.
- Use appropriate measures to also protect the electrically conductive parts on the connected consumer from direct contact. Laying metallic, uninsulated cables and contacts is prohibited.

## **SAFETY AFTER INSTALLATION**

- Connect the ground cable tightly to the negative terminal of the battery.
- Reenter/reprogram the volatile electronic memory values.

- Check all functions.
- Use only clean water to clean the components. Note the Ingress Protection (IP) ratings (IEC 60529).

## **ELECTRICAL CONNECTION**

- Note cable cross-sectional area!
- Reducing the cable cross-sectional area leads to higher current density, which can cause the cable cross-sectional area in question to heat up!
- When installing electrical cables, use the provided cable ducts and harnesses; however, do not run cables parallel to ignition cables or to cables that lead to large electricity consumers.
- Fasten cables with cable ties or adhesive tape. Do not run cables over moving parts. Do not attach cables to the steering column!
- Ensure that cables are not subject to tensile, compressive or shearing forces.
- If cables are run through drill holes, protect them using rubber sleeves or the like.
- Use only one cable stripper to strip the cable. Adjust the stripper so that stranded wires are not damaged or separated.
- Use only a soft soldering process or commercially available crimp connector to solder new cable connections!

- Make crimp connections with cable crimping pliers only. Follow the safety instructions of the tool manufacturer.
- Insulate exposed stranded wires to prevent short circuits.
- Caution: Risk of short circuit if junctions are faulty or cables are damaged.
- Short circuits in the vehicle network can cause fires, battery explosions and damages to other electronic systems. Consequently, all power supply cable connections must be provided with weldable connectors and be sufficiently insulated.
- Ensure ground connections are sound.
- Faulty connections can cause short circuits. Only connect cables according to the electrical wiring diagram.
- If operating the instrument on power supply units, note that the power supply unit must be stabilized and it must comply with the following standard: DIN EN 61000, Parts 6-1 to 6-4.

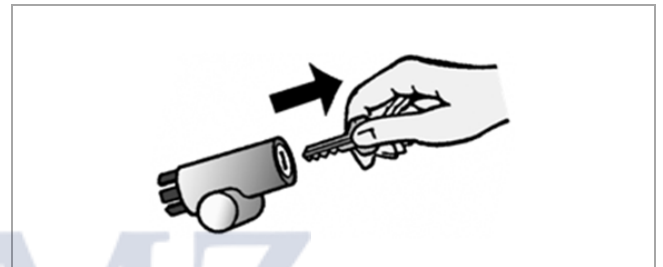
# MECHANICAL INSTALLATION

## ⚠ WARNING

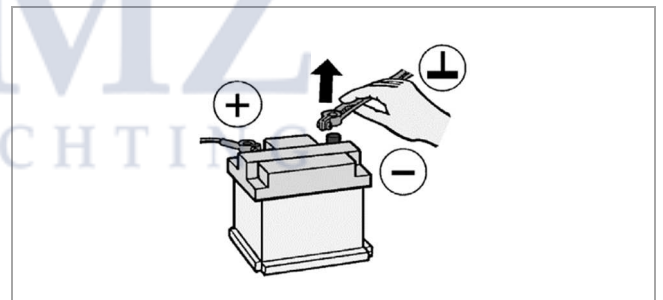
Before beginning, disconnect the negative terminal on the battery, otherwise you risk a short circuit. If the vehicle is supplied by auxiliary batteries, you must also disconnect the negative terminals on these batteries! Short circuits can cause fires, battery explosions and damages to other electronic systems. Please note that when you disconnect the battery, all volatile electronic memories lose their input values and must be reprogrammed.

### BEFORE THE ASSEMBLY

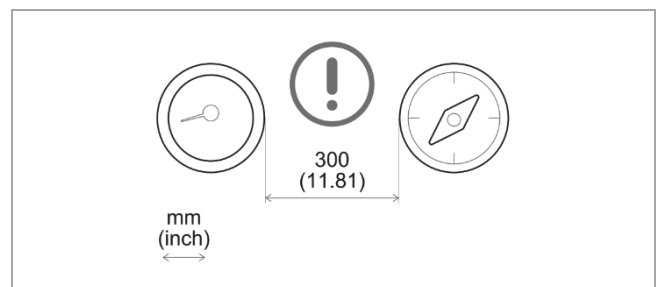
1. Before beginning, turn off the ignition and remove the ignition key. If necessary, remove the main circuit switch



2. Disconnect the negative terminal on the battery. Make sure the battery cannot unintentionally restart.



3. Place the device at least 300 mm away from any magnetic compass.



INSTALLATION WITH SPINLOCK

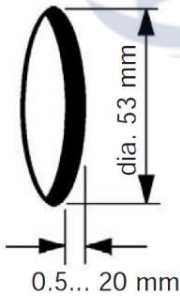
Conventional assembly. (Instrument is put into the drill hole from the front). The panel width may be within a range of 0.5 to 20 mm. The drill hole must have a diameter of 53 mm [B].

**⚠ WARNING**

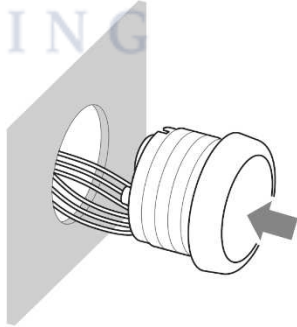
- Do not drill holes or ports in load-bearing or stabilizing stays or tie bars!
- Note the necessary clearance behind the drill hole or port at the installation location. Required mounting depth: 55 mm.
- Drill small ports; enlarge and complete them, if necessary, using taper milling tools, saber saws, keyhole saws or files. Deburr edges. Follow the safety instructions of the tool manufacturer.

1. Create a circular hole in the panel considering the device dimensions. **[A]**
2. Remove the spinlock and insert the device from the front. **[B]**
3. Adjust the spinlock as shown in picture **[C]** according to the panel thickness
4. Carefully screw in the spinlock by hand at least two turns.
5. Insert the connector.

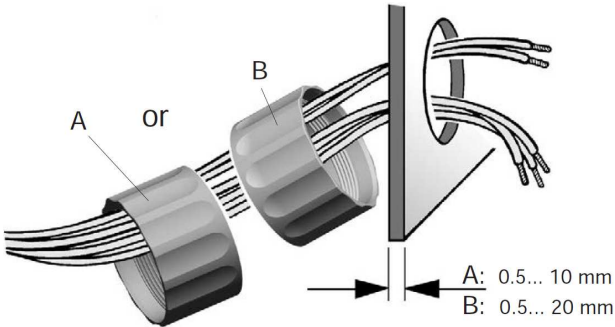
**A**



**B**



**C**



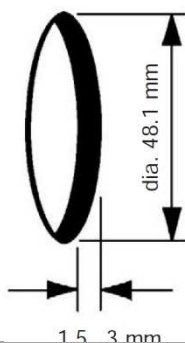
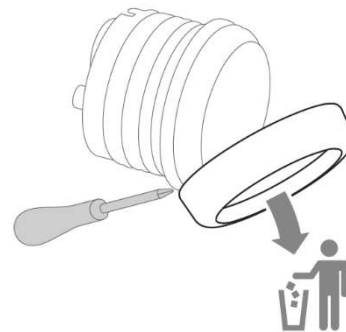
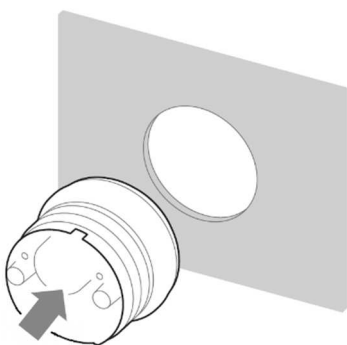
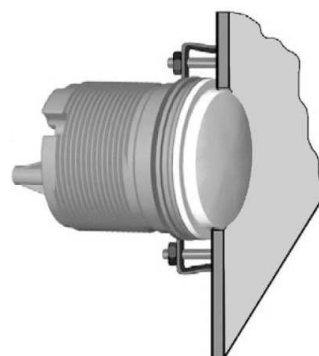
## FLUSH MOUNTING

The recommended panel thickness is 1.5 to 3 mm. The drill hole must have a diameter of 48.1 mm. [A] Ensure that the installation location is level and has no sharp edges.

**⚠ WARNING**

- Do not drill holes or ports in load-bearing or stabilizing stays or tie bars!
- Note the necessary clearance behind the drill hole or port at the installation location. Required mounting depth: 65 mm.
- Drill small ports; enlarge and complete them, if necessary, using taper milling tools, saber saws, keyhole saws or files. Deburr edges. Follow the safety instructions of the tool manufacturer.

1. Create a circular hole in the panel considering the device dimensions. **[A]**
2. Remove the spinlock.
3. Gently remove the bezel using a screwdriver. **[B]**  
*Note: the bezel cannot be used after removal since it can be damaged.*
4. Place the flush mount seal A2C53215640 (not included) on the instrument glass.
5. Put the instrument into the drill hole from the back **[C]**.
6. Adjust the instrument so that the gauge is level and fasten it to the stud bolts on the rear side of the panel, using the flush mount fixing bracket A2C59510864 (not included) **[D]**.
6. Insert the connector.

**A****B****C****D**



## INSTALLATION WITH BRACKETS

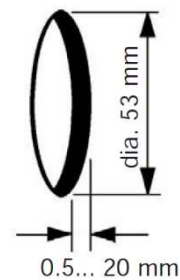
Conventional assembly. (Instrument is put into the drill hole from the front).

The panel width may be within a range of 0.5 to 20 mm. The drill hole must have a diameter of 53 mm.

### WARNING

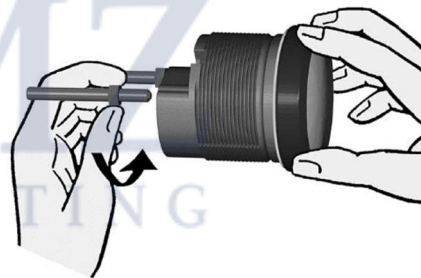
- Do not drill holes or ports in load-bearing or stabilizing stays or tie bars!
- Note the necessary clearance behind the drill hole or port at the installation location. Required mounting depth: 65 mm.
- Drill small ports; enlarge and complete them, if necessary, using taper milling tools, saber saws, keyhole saws or files. Deburr edges. Follow the safety instructions of the tool manufacturer.

1. Create a circular hole in the panel considering the device dimensions.
2. Remove the spinlock and insert the device from the front.

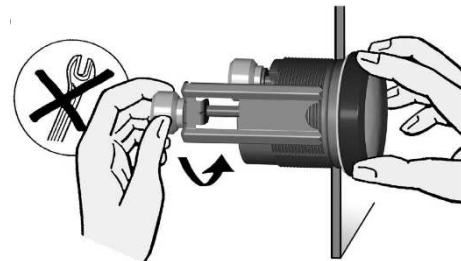


3. Screw the stud bolts into the provided drill holes in the enclosure.

Max. stud bolt torque is 1.5 Nm.



4. Place the bracket on the stud bolt and hand-tighten the knurled nut.
5. Make sure the seal lays flat between the panel and the front ring.



# ELECTRICAL INSTALLATION

## ⚠ WARNING

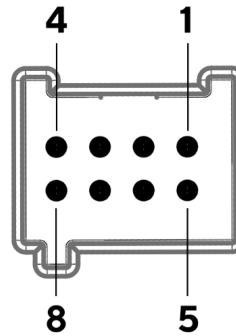
- Refer to the safety rules described in the electrical connections section of the safety information chapter of this document!

Depending on the configuration, insert the cable into the 8-pin contact enclosure according to the following pin assignment.

The contacts must audibly lock into place.

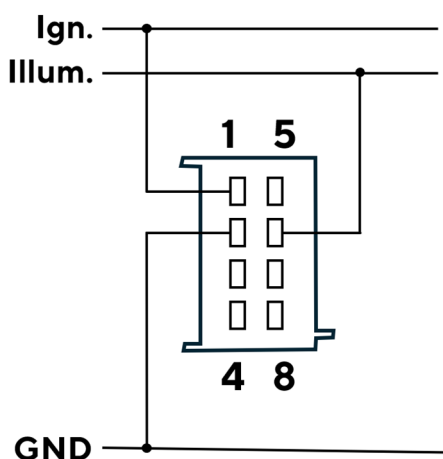
Now insert the plug into the gauge.

Note the inverse polarity protection nose in the process.



Pin No.	Wire color	Description
1	Red	Supply voltage
2	Black	Ground
3	-	n.c.
4	-	n.c.
5	-	n.c.
6	Blue / Red	Illumination
7	-	n.c.
8	-	n.c.

## WIRING DIAGRAMM



To power the gauge the red and black wires must be connected to ground and the switched plus (ignition).

While there is power on the ignition signal, the time is being count upwards.

To turn on the LCDs backlight the illumination port must be connected to 12-48V. (Use the terminal 58 if available.)

# ACCESSORIES

Description	Part Number
Spinlock Nut 52 mm	A2C5205947101
Flush mount mounting kit	A2C59510864
Flush mount seal	A2C53215640
Bracket assembly mounting kit	A2C59510854
Connector set 8 pins	A2C59510850
Blind plug for 52 mm	A2C5312164501
Bezel - Round Black	A2C5318602701
Bezel - Round White	A2C5318602801
Bezel - Round Chrome	A2C5318602901
Bezel - Triangular Black	A2C5318602401
Bezel - Triangular White	A2C5318602501
Bezel - Triangular Chrome	A2C5318602601
Bezel - Flat Black	A2C5318604001
Bezel - Flat White	A2C5318602201
Bezel - Flat Chrome	A2C5318602301

Visit <http://www.veratron.com> for the complete list of accessories.



**veratron AG**  
Industriestrasse 18  
9464 Rüthi, Switzerland

T +41 71 7679 111  
info@veratron.com  
veratron.com

---

Any distribution, translation, or reproduction, partial or total, of the document is strictly prohibited unless with prior authorization in writing from veratron AG, except for the following actions:

Printing the document in its original format, totally or partially.  
Copying contents without any modifications and stating veratron AG as copyright owner.

Veratron AG reserves the right to make modifications or improvements to the relative documentation without notice.

Requests for authorization, additional copies of this manual or technical information on the latter, must be addressed to veratron AG.

TIMELESS INSTRUMENTS

# VL 2-in-1 VOLTMETER STUNDENZÄHLER

BEDIENUNGSANLEITUNG  
rev. AA



EN

DE

IT

FR

ES

# INHALT

<b>Inhalt</b> .....	<b>2</b>
<b>Über dieses Produkt</b> .....	<b>3</b>
Varianten.....	3
Technische Daten.....	3
<b>Sicherheitshinweise</b> .....	<b>4</b>
Während des Einbaus beachten.....	4
Nach dem Einbau beachten.....	5
Elektrischer Anschluss.....	5
<b>Mechanische Installation</b> .....	<b>6</b>
Vor der Installation.....	6
Einbau mit Spinlock.....	7
Bündige Montage.....	8
Montage mit Klemmen.....	9
<b>Elektrische Installation</b> .....	<b>10</b>
Anschlussplan.....	10
<b>Zubehör</b> .....	<b>11</b>



# ÜBER DIESES PRODUKT

Das ViewLine 2-in-1-Instrument verfügt über ein helles und gut ablesbares LCD-Display, das sowohl die Motorbetriebsstunden als auch ein digitales Voltmeter anzeigt, damit Sie Ihre Batterieinformationen immer unter Kontrolle haben.

Seine erweiterte Betriebsspannung von bis zu 60 V macht ihn zu einer perfekten Lösung für die unterschiedlichsten Anwendungen, von Schiffsmotoren über statische Generatoren bis hin zu Materialtransportmaschinen und vielem mehr.

Das Display schaltet alle 10 Sekunden automatisch zwischen den beiden Werten um, so dass Sie die Hände frei haben.

Schwarze und weisse Varianten sind erhältlich und mit neun Styling-Ringen in verschiedenen Formen und Farben anpassbar.

## VARIANTEN

Teil Nr.	Beschreibung
B00005302	Schwarz - runde Blende
B00005303	Schwarz - dreieckige Lünette
B00006302	Weiss - runde Blende
B00006303	Weiss - dreieckige Blende

## TECHNISCHE DATEN

<b>Nennspannung</b>	12 V / 24 V / 48 V
<b>Betriebsspannung</b>	9 - 60 V (mit Verpolungs- und Überspannungsschutz)
<b>Schutzklasse</b>	IP 67 frontseitig, IP 52 rückseitig gemäss IEC60529
<b>Material</b>	Gehäuse: PC (schwarz) Frontscheibe: PMMA-Doppellinse Blende: ABS (Chrom), PC (Schwarz, Weiss)
<b>Einbautiefe</b>	46 mm
<b>Betriebstemperatur</b>	-40°C bis +80°C
<b>Lagertemperatur</b>	-40°C bis +85°C
<b>Entflammbarkeit</b>	flammhemmend nach UL94-V0
<b>Stecker</b>	Tyco / Hirschmann MQS-Stecker 8 Pins
<b>Montage</b>	Spinlock Mutter - Sicherungshöhe 0,5 - 20 mm Optionale Bolzen und Halterungen - Verriegelungshöhe 2 - 15 mm
<b>Zertifizierungen</b>	CE, UKCA, Reach, RoHS

# SICHERHEITSHINWEISE

## WARNING

- Nicht rauchen! Kein offenes Feuer oder Wärmequellen!
- Das Produkt wurde unter Beachtung der grundlegenden Sicherheitsanforderungen der EG-Richtlinien und dem anerkannten Stand der Technik entwickelt, gefertigt und geprüft.
- Das Gerät ist für den Einsatz in der Sportschiffahrt konzipiert.
- Das Gerät ist für den Einsatz in erdgebundenen Fahrzeugen und Maschinen sowie den Einsatz in der Sportschiffahrt, inklusive der nicht klassifizierten Berufsschiffahrt bestimmt.
- Setzen Sie unser Produkt nur bestimmungsgemäss ein. Die Folgen einer nicht bestimmungsgemässen Verwendung des Produktes können Personenschäden sowie Sachschäden oder Umweltschäden sein. Informieren Sie sich vor dem Einbau anhand der Fahrzeug-Papiere über den Fahrzeugtyp und über eventuelle Besonderheiten!
- Informieren Sie sich anhand von Bauplänen über die Lage von Kraftstoff- /Hydraulik- /Druckluft und elektrischen Leitungen!
- Beachten Sie eventuelle Veränderungen am Fahrzeug, die beim Einbau zu berücksichtigen sind!
- Für den Einbau sind Grundkenntnisse der Kfz/Schiffbau-Elektrik und -Mechanik erforderlich, um Personenschäden, Sachschäden oder Umweltschäden zu vermeiden.
- Stellen Sie sicher, dass kein unbeabsichtigter Motorstart während des Einbaus ausgeführt werden kann!
- Veränderungen oder Manipulationen am Veratronprodukt können die Sicherheit beeinflussen. Es darf deshalb nicht verändert oder manipuliert werden!
- Beim Aus-/Einbau von Sitzen, Abdeckungen o. ä. darauf achten, dass Sie keine Leitungen beschädigen oder Steckverbindungen lösen!
- Alle Daten von anderen installierten Geräten mit flüchtigen elektronischen Speichern notieren.

## WÄHREND DES EINBAUS BEACHTEN

- Achten Sie beim Einbau darauf, dass die Komponenten des Produkts die Fahrzeugfunktionen nicht beeinflussen oder behindern und selbst nicht beschädigt werden!
- Bauen Sie nur unbeschädigte Teile in ein Fahrzeug ein!
- Achten Sie beim Einbau darauf, dass durch das Produkt der Sichtbereich nicht beeinträchtigt wird und das Produkt nicht im Kopfaufschlagbereich des Fahrers und Beifahrers positioniert wird!
- Den Einbau des Produktes sollten Sie von einem darauf spezialisierten Fachmann ausführen lassen. Wenn Sie den Einbau selbst vornehmen, tragen Sie geeignete Arbeitskleidung. Tragen Sie keine weite Kleidung. Sie kann von beweglichen Teilen erfasst werden. Tragen Sie bei langen Haaren ein Haarnetz. Bei Arbeiten an der Bordelektrik keinen metallischen oder leitfähigen Schmuck wie Ketten, Armbänder, Ringe etc. tragen.
- Falls notwendige Arbeiten am laufenden Motor erforderlich sind, besondere Vorsicht walten lassen. Tragen Sie nur entsprechende Arbeitskleidung, da Verletzungsgefahr durch Quetschungen und Verbrennungen besteht. Vor Beginn der Arbeiten ist der Minuspol der Batterie abzuklemmen, da sonst Kurzschlussgefahr besteht. Wenn das Fahrzeug über Zusatzbatterien verfügt, müssen ggf. auch die Minuspole dieser Batterien abgeklemmt werden! Kurzschlüsse können Kabelbrände, Batterieexplosionen und Beschädigungen von anderen elektronischen Systemen verursachen. Bitte beachten Sie, dass beim Abklemmen der Batterie alle flüchtigen elektronischen Speicher ihre eingegebenen Werte verlieren und neu programmiert werden müssen.
- Lassen Sie bei Bootsmotoren vor Beginn der Arbeiten im Motorraum bei Benzinmotoren den Motorraumlüfter laufen.
- Achten Sie auf den Verlauf von Leitungen oder Kabelsträngen, um diese bei Bohr- und Sägearbeiten nicht zu beschädigen!
- Den Einbauort nicht im mechanischen und elektrischen Airbag-Bereich wählen!
- Bohrungen und Einbauöffnungen nicht in tragende oder stabilisierende Streben oder Holme anbringen!



## SICHERHEITSHINWEISE

- Bei Arbeiten unter dem Fahrzeug, dieses nach Vorschrift des Fahrzeugherstellers sichern.
- Beim Einbauort auf den nötigen Freiraum hinter den Bohrungen oder der Einbauöffnung achten. Notwendige Einbautiefe 65 mm.
- Einbauöffnungen klein vorbohren, mit Konusfräser, Loch-, Stichsäge oder Feile gegebenenfalls vergrößern und fertig stellen. Kanten entgraten. Unbedingt die Sicherheitshinweise der Handwerkerhersteller beachten.
- Bei notwendigen Arbeiten ohne Spannungsunterbrechung darf nur mit isoliertem Werkzeug gearbeitet werden.
- Benutzen Sie zum Messen von Spannungen und Strömen im Fahrzeug/ Maschine bzw. Schiff nur dafür vorgesehene Multimeter oder

Diodenprüflampen. Die Benutzung herkömmlicher Prüflampen kann die Beschädigung von Steuergeräten oder anderer elektronischer Systeme zur Folge haben.

- Die elektrischen Ausgänge des Anzeigergerätes und daran angeschlossene Kabel müssen vor direkter Berührung und Beschädigung geschützt werden. Dazu müssen die verwendeten Kabel eine ausreichende Isolation bzw. Spannungsfestigkeit besitzen und die Kontaktstellen berührungssicher sein.
- Auch die elektrisch leitenden Teile der angeschlossenen Verbraucher sind durch entsprechende Massnahmen vor direkter Berührung zu schützen. Das Verlegen metallisch blanker Kabel und Kontakte ist nicht zulässig.

## NACH DEM EINBAU BEACHTEN

- Massekabel an den Minuspol der Batterie fest anklemmen.
- Werte der flüchtigen elektronischen Speicher neu eingeben/programmieren.

- Prüfen Sie alle Funktionen.
- Zur Reinigung der Komponenten nur klares Wasser verwenden. IP-Schutzarten (IEC 60529) beachten.

## ELEKTRISCHER ANSCHLUSS

- Kabelquerschnitt beachten!
- Eine Verringerung des Kabelquerschnitts führt zu einer höheren Stromdichte. Dies kann zu einer Erhitzung des betreffenden Kabelabschnitts führen!
- Bei der elektrischen Kabelverlegung benutzen Sie vorhandene Kabelkanäle und Kabelstränge, führen Sie die Kabel jedoch nicht parallel zu Zündkabeln oder parallel zu Kabeln, die zu grossen Stromverbrauchern führen.
- Fixieren Sie die Kabel mit Kabelbindern oder Klebeband. Führen Sie die Kabel nicht über bewegliche Teile. Kabel nicht an der Lenksäule befestigen!
- Achten Sie darauf, dass die Kabel keinen Zug-, Druck- oder Scherkräften ausgesetzt sind.
- Wenn die Kabel durch Bohrungen geführt werden, schützen Sie die Kabel mittels Gummitüllen oder ähnlichem.
- Benutzen Sie zum Abisolieren der Kabel nur eine Abisolierzange. Stellen Sie die Zange so ein, dass keine Litzen beschädigt oder abgetrennt werden.
- Verlöten Sie neu zu schaffende Kabelverbindungen nur im Weichlötverfahren oder verwenden Sie handelsübliche Quetschverbinder!

- Nehmen Sie Quetschverbindungen nur mit einer Kabelquetschzange vor. Achten Sie auf die Sicherheitshinweise der Handwerkerhersteller.
- Isolieren Sie freigelegte Litzen so, dass keine Kurzschlüsse entstehen können.
- **Achtung:** Kurzschlussgefahr durch fehlerhafte Verbindungsstellen oder beschädigte Kabel.
- Kurzschlüsse im Bordnetz können Kabelbrände, Batterieexplosionen und Beschädigungen anderer elektronischer Systeme verursachen. Deshalb müssen alle Verbindungen der Spannungsversorgung mit verschweisbaren Stossverbindern versehen und ausreichend isoliert sein.
- Achten Sie besonders auf einwandfreie Masseverbindungen.
- Falschanschlüsse können zu Kurzschlüssen führen. Schliessen Sie die Kabel nur entsprechend dem elektrischen Anschlussplan an.
- Bei Betrieb des Gerätes an Netzteilen beachten Sie, dass das Netzteil stabilisiert sein muss und den folgenden Normen entsprechen muss: DIN EN 61000- Teil 6-1 bis 6-4.

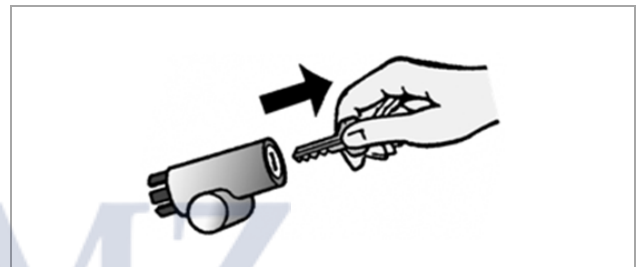
# MECHANISCHE INSTALLATION

## ⚠ WARNING

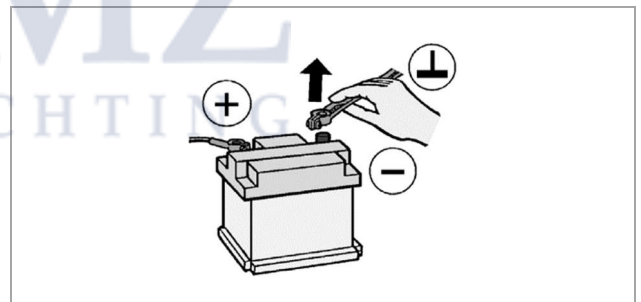
Vor Beginn der Arbeiten ist der Minuspol der Batterie abzuklemmen, da sonst Kurzschlussgefahr besteht. Wenn das Fahrzeug über Zusatzbatterien verfügt, müssen ggf. auch die Minuspole dieser Batterien abgeklemmt werden! Kurzschlüsse können Kabelbrände, Batterieexplosionen und Beschädigungen von anderen elektronischen Systemen verursachen. Bitte beachten Sie, dass beim Abklemmen der Batterie alle flüchtigen elektronischen Speicher ihre eingegebenen Werte verlieren und neu programmiert werden müssen.

## VOR DER INSTALLATION

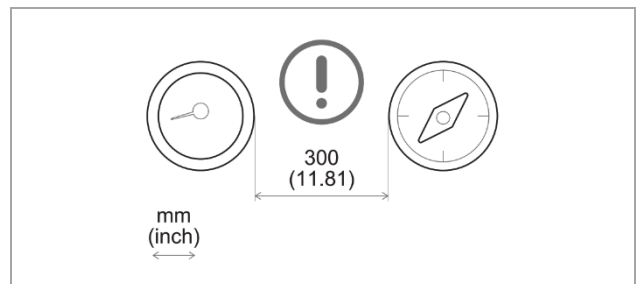
1. Vor Beginn der Arbeiten die Zündung ausschalten und den Zündschlüssel abziehen. Ggf. den Hauptstromschalter unterbrechen.



2. Den Minuspol der Batterie abklemmen und gegen versehentliches Wiedereinschalten schützen.



3. Den magnetischen Schutzabstand von mindestens 300mm zu nächstem Magnetkompass beachten.



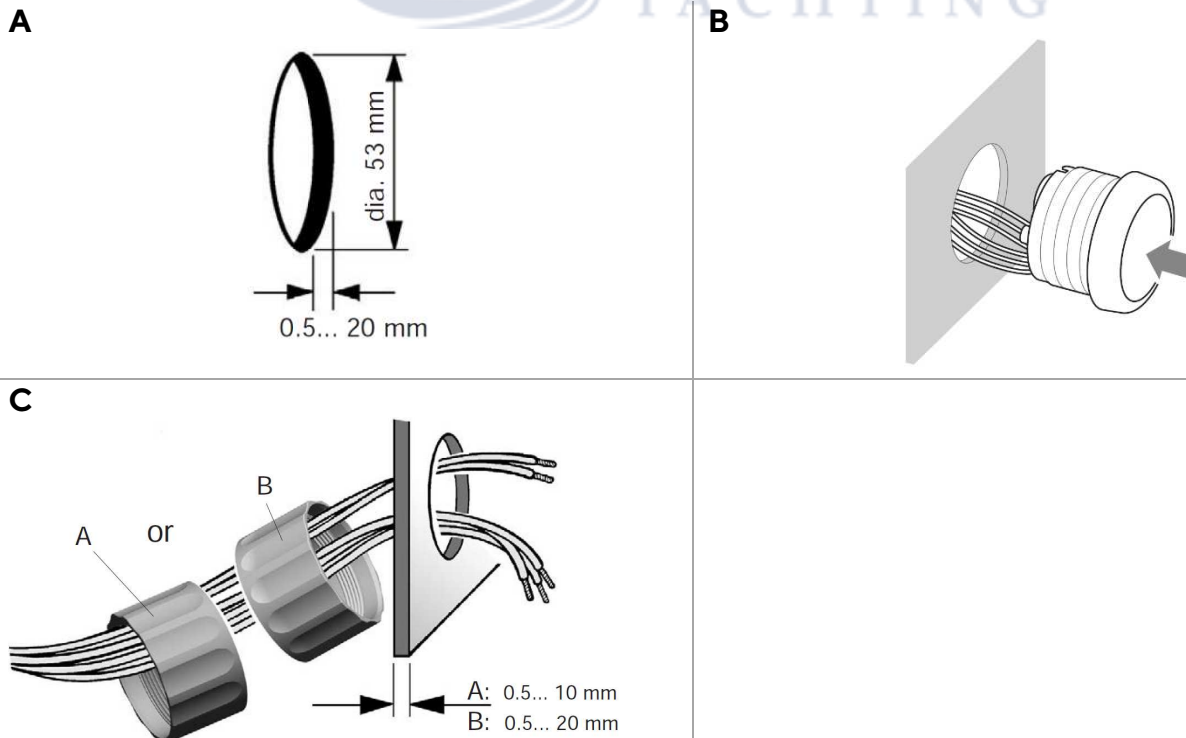
**EINBAU MIT SPINLOCK**

Konventioneller Zusammenbau. (Das Instrument wird von vorne in das Bohrloch eingesetzt). Die Plattendicke kann zwischen 0,5 und 20 mm liegen. Das Bohrloch muss einen Durchmesser von 53 mm [B] haben.

**⚠ WARNING**

- Bohren Sie keine Löcher oder Öffnungen in tragende oder stabilisierende Streben oder Zugstangen!
- Beachten Sie den notwendigen Freiraum hinter der Bohrung oder dem Anschluss am Einbauort. Erforderliche Einbautiefe: 55 mm.
- Kleine Öffnungen bohren, ggf. mit Kegelfräsen, Säbelsägen, Lochsägen oder Feilen vergrößern und ergänzen. Kanten entgraten. Beachten Sie die Sicherheitshinweise des Werkzeugherstellers.

1. Ein rundes Loch in der Platte unter Berücksichtigung der Geräteabmessungen erstellen. **[A]**
2. Spinlock entfernen und das Gerät von vorne einsetzen. **[B]**
3. Wie in Abbildung **[C]** gezeigt, Spinlock entsprechend der Paneldicke ausrichten.
4. Spinlock mindestens zwei Umdrehungen von Hand anziehen.
5. Stecker mit dem Gerät verbinden.



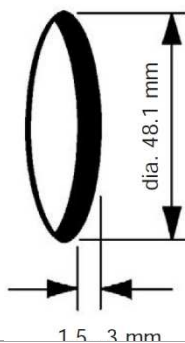
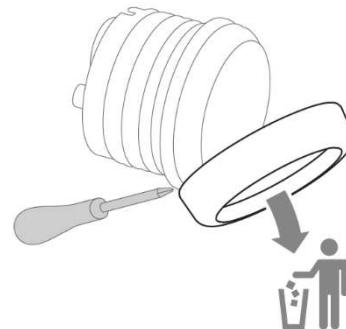
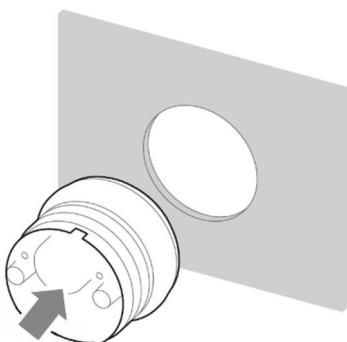
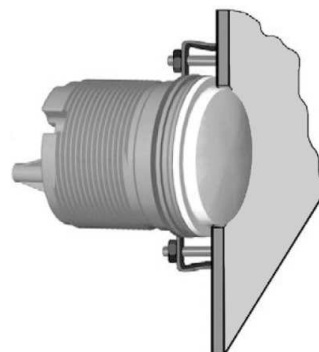
## BÜNDIGE MONTAGE

Die empfohlene Paneldicke beträgt 1,5 bis 3 mm. Das Bohrloch muss einen Durchmesser von 48,1 mm haben. [A] Stellen Sie sicher, dass der Einbauort eben ist und keine scharfen Kanten aufweist.

**⚠ WARNING**

- Bohren Sie keine Löcher oder Öffnungen in tragende oder stabilisierende Streben oder Zugstangen!
- Beachten Sie den notwendigen Freiraum hinter der Bohrung oder dem Anschluss am Einbauort. Erforderliche Einbautiefe: 65 mm.
- Kleine Öffnungen bohren, ggf. mit Kegelfräsen, Säbelsägen, Lochsägen oder Feilen vergrößern und ergänzen. Kanten entgraten. Beachten Sie die Sicherheitshinweise des Werkzeugherstellers.

1. Ein rundes Loch in der Platte unter Berücksichtigung der Geräteabmessungen erstellen. **[A]**  
(A2C53215640 nicht im Lieferumfang enthalten)  
Das Instrument dann von hinten in das Bohrloch einsetzen **[C]**.
2. Spinlock entfernen.
3. Die Blende vorsichtig mit einem Schraubendreher entfernen. **[B]**  
*Hinweis: Die Blende kann nach dem Ausbau nicht mehr verwendet werden, da sie beschädigt werden kann.*
4. Die Dichtung für die bündige Montage auf das Instrumentenglas platzieren.
5. Das Gerät so ausrichten, dass es waagrecht steht, und es dann mit der Halterung für die bündige Montage **[D]** an den Stehbolzen auf der Rückseite der Tafel befestigen.  
(A2C59510864 nicht im Lieferumfang enthalten)
6. Gerät mit Stecker verbinden.

**A****B****C****D**

## MONTAGE MIT KLEMMEN

Konventioneller Zusammenbau. (Instrument wird von vorne in die Bohrung eingesetzt).

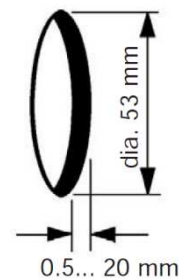
Die Plattendicke darf zwischen 0,5 und 20 mm liegen. Der Bohrlochdurchmesser muss 53 mm betragen.

**⚠ WARNING**

- Bohren Sie keine Löcher oder Öffnungen in tragende oder stabilisierende Streben oder Zugstangen!
- Beachten Sie den notwendigen Freiraum hinter der Bohrung oder dem Anschluss am Einbauort.  
Erforderliche Einbautiefe: 65 mm.
- Kleine Öffnungen bohren, ggf. mit Kegelfräsen, Säbelsägen, Lochsägen oder Feilen vergrößern und ergänzen. Kanten entgraten. Beachten Sie die Sicherheitshinweise des Werkzeugherstellers.

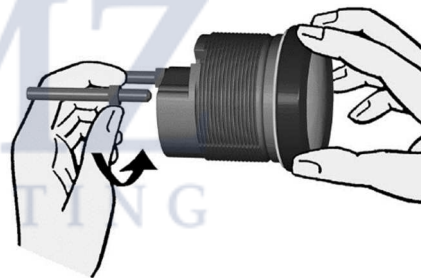
1. Erstellen Sie ein kreisrundes Loch in der Platte unter Berücksichtigung der Geräteabmessungen.

2. Entfernen Sie den Spinlock und setzen Sie das Gerät von vorne ein.



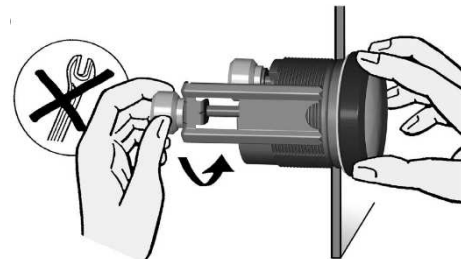
3. Schrauben Sie die Stehbolzen in die vorgesehenen Bohrungen des Gehäuses.

Das maximale Anzugsmoment für den Stehbolzen beträgt 1,5 Nm.



4. Setzen Sie die Halterung auf den Stehbolzen und ziehen Sie die Rändelmutter handfest an.

5. Stellen Sie sicher, dass die Dichtung flach zwischen der Platte und dem Frontring liegt.



# ELEKTRISCHE INSTALLATION

## ⚠ WARNING

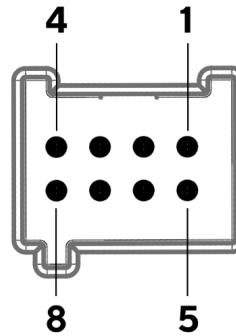
Beachten Sie die Sicherheitsvorschriften, die im Abschnitt "Elektrische Anschlüsse" des Kapitels "Sicherheitshinweise" in diesem Dokument beschrieben sind!

Stecken Sie das Kabel je nach Konfiguration entsprechend der folgenden Pin-Belegung in das 8-polige Kontaktgehäuse.

Die Kontakte müssen hörbar einrasten.

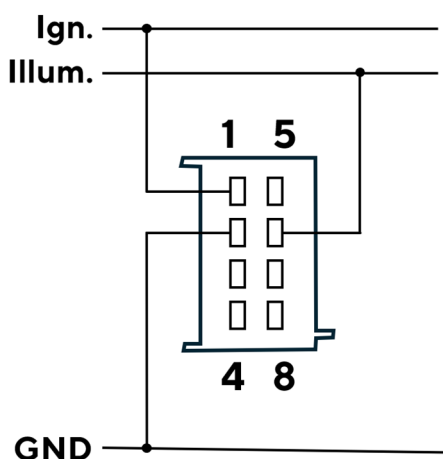
Stecken Sie nun den Stecker in das Gerät.

Beachten Sie dabei die Verpolungsschutznasen.



Pin Nr.	Kabelfarbe	Beschreibung
1	Rot	Versorgungsspannung / Zündung (Ign.)
2	Schwarz	Masse (GND)
3	-	n.c.
4	-	n.c.
5	-	n.c.
6	Blau / Rot	Beleuchtung (Illum.)
7	-	n.c.
8	-	n.c.

## ANSCHLUSSPLAN



Um das Gerät mit Strom zu versorgen, müssen die rote und die schwarze Litze mit der Masse und dem geschalteten Plus (Zündung) verbunden werden.

Solange das Zündsignal eingeschaltet ist, wird die Zeit hochgezählt.

Um die Hintergrundbeleuchtung des LCDs einzuschalten, muss der Beleuchtungsanschluss mit 12-48 V verbunden werden (verwenden Sie die Klemme 58, falls vorhanden).

# ZUBEHÖR

Beschreibung	Teilenummer
Spinlock-Mutter 52 mm	A2C5205947101
Montage Kit für bündige Montage	A2C59510864
Dichtung für bündige Montage	A2C53215640
Montagekit für Installation mit Klammern	A2C59510854
Steckerset 8 Pins	A2C59510850
Blinddeckel für 52 mm	A2C5312164501
Blende - Rund Schwarz	A2C5318602701
Blende - Rund Weiss	A2C5318602801
Blende - Rund Chrom	A2C5318602901
Blende - Dreieckig Schwarz	A2C5318602401
Blende - Dreieckig Weiss	A2C5318602501
Blende - Dreieckig Chrom	A2C5318602601
Blende - Flach schwarz	A2C5318604001
Blende - Flaches Weiss	A2C5318602201
Blende - Flach Chrom	A2C5318602301

Eine vollständige Liste des Zubehörs finden Sie unter <http://www.veratron.com>.



**veratron AG**  
Industriestrasse 18  
9464 Rüthi, Schweiz

T +41 71 7679 111  
info@veratron.com  
veratron.com

---

Jegliche Verbreitung, Übersetzung oder Vervielfältigung, ganz oder teilweise, des Dokuments ist strengstens untersagt, es sei denn, es liegt eine schriftliche Genehmigung der veratron AG vor, mit Ausnahme der folgenden Massnahmen:

Drucken des Dokuments in seinem ursprünglichen Format, ganz oder teilweise.

Inhalte unverändert zu kopieren und die veratron AG als Urheberin anzugeben.

Veratron AG behält sich das Recht vor, ohne Vorankündigung Änderungen oder Verbesserungen an der entsprechenden Dokumentation vorzunehmen.

Anfragen zur Autorisierung, zu zusätzlichen Kopien dieses Handbuchs oder zu technischen Informationen über dieses Handbuch sind an die veratron AG zu richten.